

Standard Skid Mounted Systems

Condensate Pumps

Package Model	Simplex, Duplex, Triplex	Simplex, Duplex, Triplex
Pump Model (PMP)	PMPF	PMPC
Pump Body Material	Carbon Steel	Ductile Iron
Receiver Material	Carbon Steel	Carbon Steel
Check Valves	316 Stainless Steel	316 Stainless Steel
PMO Max. Operating Pressure	200 PSIG	200 PSIG
TMO Max. Operating Temperature	388°F	388°F
PMA Max. Allowable Pressure	250 PSIG @ 650°F	200 PSIG @ 650°F
Receiver Pressure Rating	150 PSIG @ 566°F	150 PSIG @ 566°F

Typical Applications

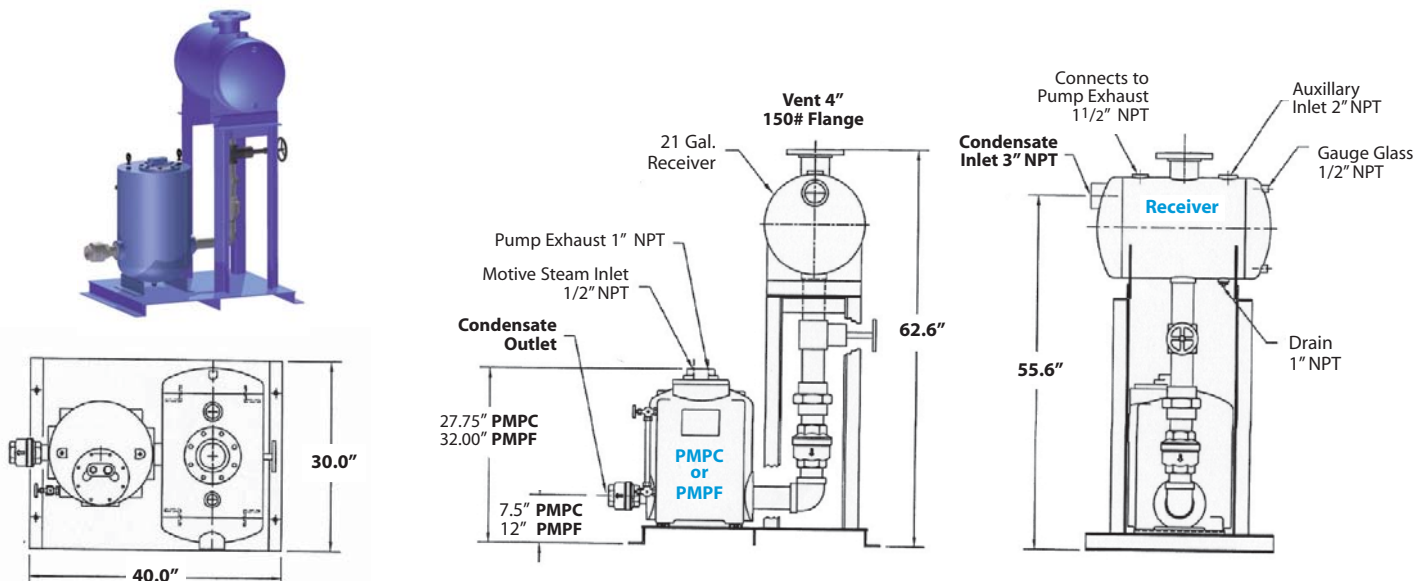
Condensate Return Pressure Motive Pump (PMPs) with a Vented Receiver. Standardized Simplex, Duplex, Triplex, and Quadraplex packaged systems include stand-alone pump(s), check valves and vented receiver, mounted on a steel base and frame. Multiple pumping units can be used for increased capacity or for system redundancy. The PMP units are available in ductile iron, carbon steel and stainless steel. Additional options include sight glasses, insulation jackets, cycle counters, motive and vent piping, pressure regulators, steam traps, strainers, ASME code stamps, etc.

Sample Specifications

Unit shall be a Watson McDaniel, pre-packaged system to include pressure motive pump(s) with stainless steel check valves, an ASME vented receiver with "UM" code stamp, and interconnecting piping including inlet isolation valve. The carbon steel PMPF shall receive an ASME "UM" code stamp and the ductile iron PMPC shall offer it as an option. The pump mechanism shall be float operated with a patented "Snap-Assure" feature constructed of all stainless steel materials with all load bearing points hardened for extended service life, with no external seals or packing.

Connection NPT Inlet x Outlet	PMPC • Ductile Iron Mode Code	PMPF • Carbon Steel Mode Code	Receiver Size Gallons
Simplex Systems - One Pump with Receiver			
1" x 1"	S-PMPC-1X1-SS-21	S-PMPF-1X1-SS-21	21
1 1/2" x 1"	S-PMPC-1.5X1-SS-21	S-PMPF-1.5X1-SS-21	21
2" x 1"	S-PMPC-2X1-SS-21	S-PMPF-2X1-SS-21	21
2" x 1 1/2"	S-PMPC-2X1.5-SS-21	S-PMPF-2X1.5-SS-21	21
2" x 2"	S-PMPC-2X2-SS-21	S-PMPF-2X2-SS-21	21
3" x 2"	S-PMPC-3X2-SS-21	S-PMPF-3X2-SS-21	21
Duplex Systems - Two Pumps with Receiver			
3" x 2"	D-PMPC-3X2-SS-48	D-PMPF-3X2-SS-48	48
3" x 2"	D-PMPC-3X2-SS-75	D-PMPF-3X2-SS-75	75
3" x 2"	D-PMPC-3X2-SS-116	D-PMPF-3X2-SS-116	116
Triplex Systems - Three Pumps with Receiver			
3" x 2"	T-PMPC-3X2-SS-75	T-PMPF-3X2-SS-75	75
3" x 2"	T-PMPC-3X2-SS-116	T-PMPF-3X2-SS-116	116

SIMPLEX Systems



ASME Certified

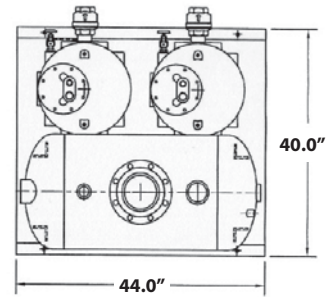
Features

- PMP pump systems reduce installation costs. Only 4 pipe connections are required in the field
- Watson McDaniel ensures that vented receivers and other components are properly sized for optimum system performance
- Watson McDaniel's fully-qualified fabrication facility is ASME code certified. Our engineers can design and build complete custom systems to meet all your requirements

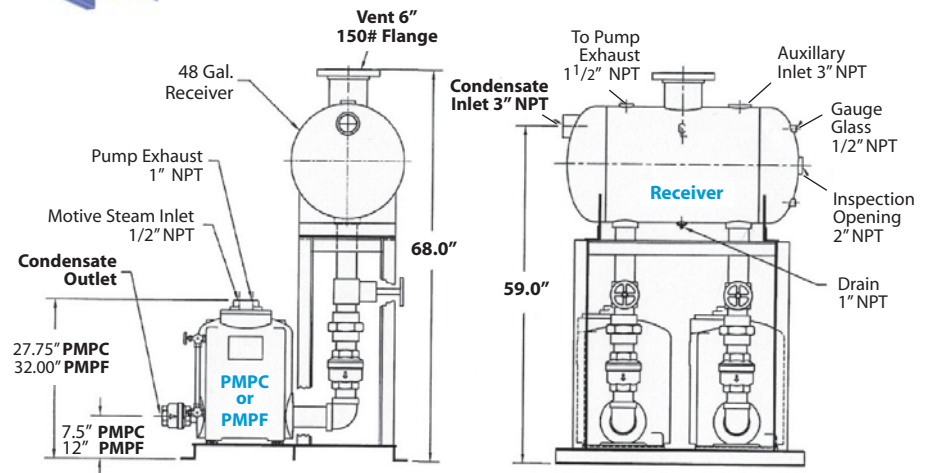
Options

- Gauge glass assembly
- Cycle counter
- Insulation covers
- Motive steam drip trap
- Overflow pipe connection
- Pressure regulator for motive supply line

DUPLEX Systems



Condensate Pumps



TRIPLEX Systems

